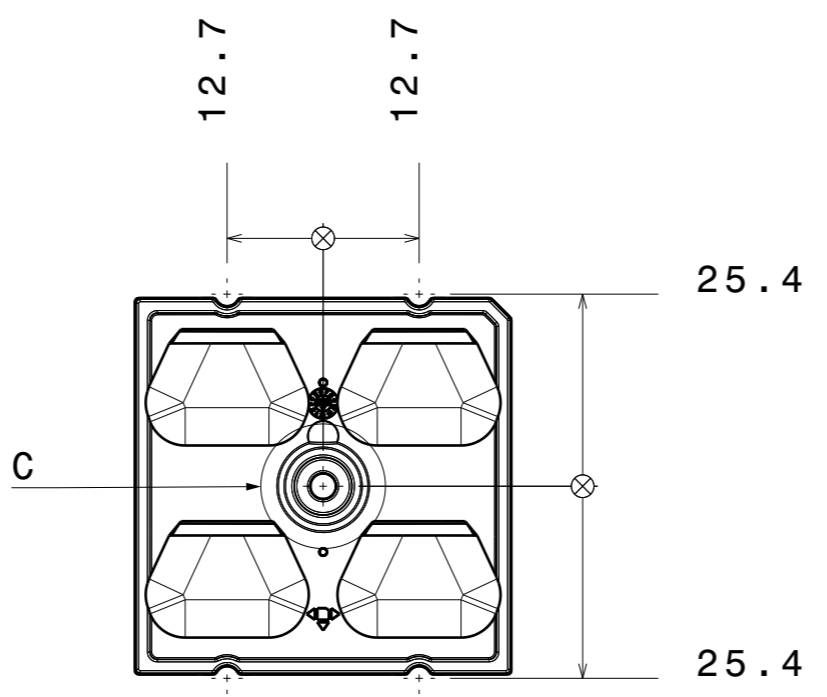
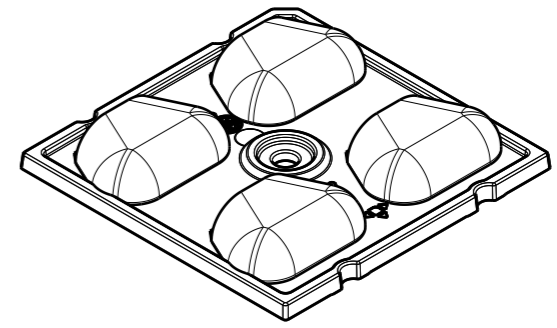


Bottom view
Scale: 1:1



Top view
Scale: 1:1

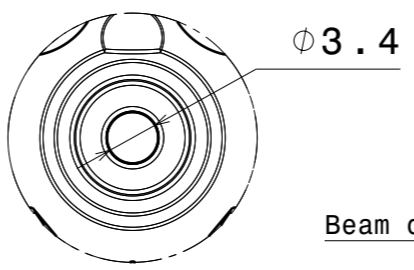


Isometric view
Scale: 1:1

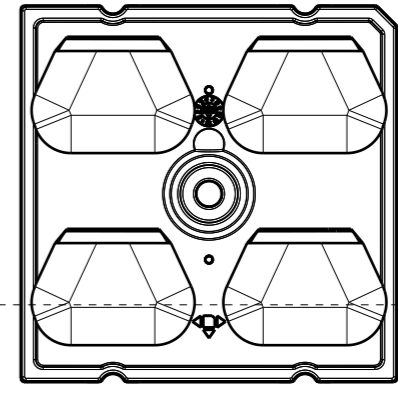


Detail A
Scale: 2:1

Detail B
Scale: 2:1

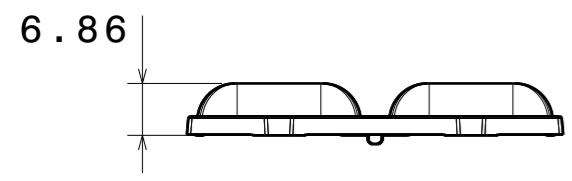


Detail C
Scale: 2:1

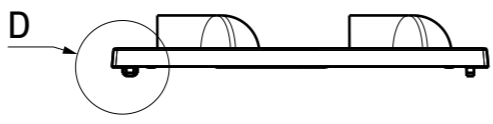


House side

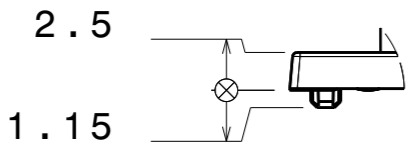
Road side



Front view
Scale: 1:1



Left view
Scale: 1:1



Detail D
Scale: 2:1

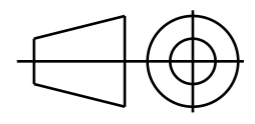
PART	TYPE	MATERIAL	COLOR / COATING
C17445_STRADA-2X2-J1-PC	lens	PC	clear

MECHANICAL DRAWING

PRODUCT
STRADA

Plastic moulding general tolerances according to DIN 16901-130 and applies if not otherwise shown in the drawing. Silicone moulding general tolerances according to ISO 3302-1 Class M3 and applies if not otherwise shown in the drawing.

FIRST ANGLE PROJECTION:



LEDiL

This drawing is the property of LEDiL Oy. It may not be copied or otherwise distributed without prior written permission from LEDiL Oy.

SCALE	1:1	WEIGHT	7,84 g	A3	SHEET 1/1
-------	-----	--------	--------	----	-----------

Notes

	PCB or heatsink level.
	LED location
	Ensure LED fitting from a product specific 3D model available from www.ledil.com
	For more details about installation please see LEDiL Installation Guide on www.ledil.com